



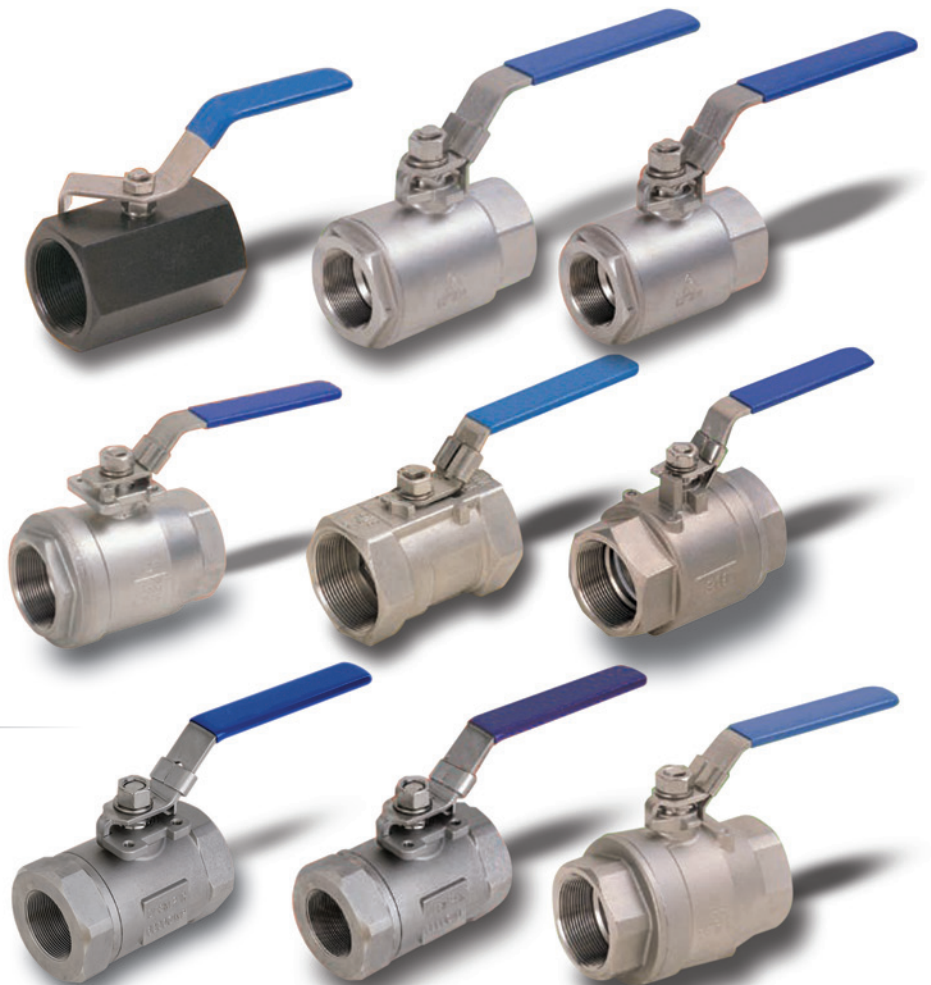
Southern California Valve

(281) 482-4728 • www.scvvalve.com



1 & 2-Piece Ball Valves Full & Reduced Port Threaded & Seal Welded Body Designs with Threaded End Connections

Sizes: 1/4" to 4"
Pressure: 1000 PSI to 6000 PSI





Southern California Valve

Southern California Valve’s product lines include commodity valves as well as specialty valves in all Sizes, Pressure Classes & Metallurgy; including Carbon Steel, Stainless Steel & Exotic Alloys. The valve types include Gate, Globe, Swing Check - Bolted Bonnet & Pressure Seal Bonnet, Ball - floating, trunnion, rising stem, Thru-Conduit Gate - slab and expanding, Swing Check - Full and Regular Port, Lubricated Plugs, Dual Plate Checks - wafer and lug style. Southern California Valve’s High Quality Standards demand 100% pressure testing of every valve to insure its reliability and full customer satisfaction.

At Southern California Valve, we pride ourselves with high quality products in the commodity and specialty valve lines, as well as, timely deliveries, and competitive prices.

Company History ■■■■■■■■■■

Southern California Valve was established in 1972. The primary focus of the Company was to provide full inline field service for valve maintenance as well as in house valve modifications. While serving the Power Industry, Paper & Pulp, Oil & Gas, and the Petro Chemical Industry; through years of dedication and commitment to quality and service, Southern California Valve has become one of the largest West Coast full range, field service companies, with a reputation for superior quality.

In the mid 1970s, Southern California Valve entered the valve manufacturing industry, primarily serving the Power Industry. Since that time, Southern California Valve has expanded their products to cover a broad range of valves. Southern California Valve holds the API 6A & API 6D Monogram, API Q1 Quality Management System, and ISO 9001:2008. The Corporate office and manufacturing facility is located in Santa Fe Springs, California. The Sales and Projects office is located in Sante Fe, Texas.

Mission Statement ■■■■■■■■■■

Southern California Valve is committed to consistently providing products that meet or exceed customer and regulatory specifications. SCV aims to enhance customer satisfaction through implementing the highest levels of quality standards while assuring full conformity to those requirements.

Table of Contents ■■■■■■■■■■

Valve	Model	Body Design	Size	Pressure	Page
1-Piece Reduced Port Ball Valve	L-190	Threaded	1/4" to 2"	1000 PSI	1
2-Piece Full Port Ball Valve	L-250	Threaded	1/4" to 4"	1000 PSI	2
1-Piece Reduced Port Ball Valve	L-180	Threaded	1/4" to 2"	2000 PSI	3
2-Piece Full Port Ball Valve	L-270	Threaded	1/4" to 4"	1500 PSI to 2000 PSI.....	4
2-Piece Full Port Ball Valve	G-280F	Seal Welded	1/4" to 4"	1500 PSI to 2000 PSI.....	5
2-Piece Full Port Ball Valve	L-290F	Threaded	1/4" to 4"	3600 PSI	6
2-Piece Full Port Ball Valve	G-290F	Seal Welded	1/4" to 2"	3600 PSI	7
2-Piece Full & Reduced Port Ball Valve	L-291	Threaded	1/4" to 2"	6000 PSI	8
2-Piece Full & Reduced Port Ball Valve	G-291F	Seal Welded	1/4" to 2"	6000 PSI	9
Industry Standards for Valve Manufacturing					10
Terms and Conditions.....					11



1-Piece Reduced Port Ball Valve

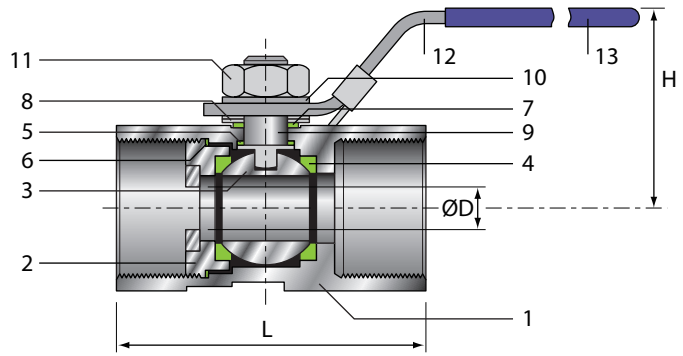
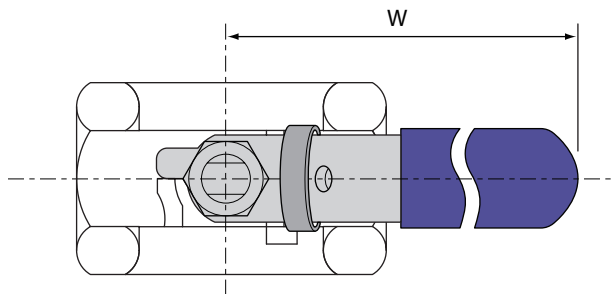
Size: 1/4" to 2"

Pressure: 1000 PSI

Model L-190



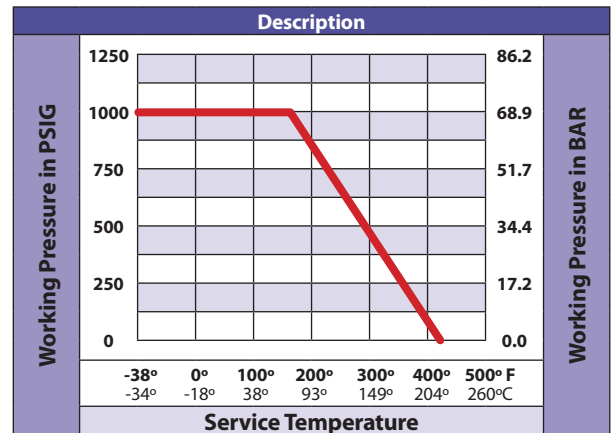
- Materials:** Stainless Steel, Carbon Steel
- End Connection:** Threaded
- Service Application:** Water, Oil, Gas, Thermal Fluid, Chemicals, & others
- Certifications:** ISO 9001 & PED 97/23/EC
- Operation:** Manual



Materials

Item	Description	Stainless Steel	Carbon Steel	Qty
1	Body	ASTM A351 CF8M	ASTMA216WCB	1
2	Body Insert	ASTMA351 CF8M/316	ASTMA216WCB/A108	1
3	Ball	ASTMA351 CF8M/316	ASTMA351 CF8/304	1
4	Seat	PTFE	R-PTFE	2
5	Thrust Washer	PTFE	PTFE	1
6	Body Gasket	PTFE	PTFE	1
7	Stem Packing	PTFE	PTFE	1
8	Belleville Washer	AISI 301	AISI 301	2
9	Stem	ASTM A276 316	ASTM A276 304	1
10	Spring Washer	AISI 304	AISI 304	1
11	Handle Nut	AISI 304	AISI 304	1
12	Handle	AISI 304	Zinc Plated Steel	1
13	Sleeve	Vinyl Plastisol	Vinyl Plastisol	1

Pressure Temperature Ratings



R R-PTFE

Dimensions

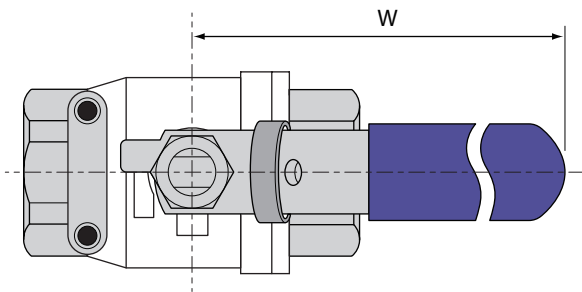
Size	OD		L		H		W		Weights KG
	IN	MM	IN	MM	IN	MM	IN	MM	
1/4"	0.20	5	1.54	39	1.30	33	2.68	68	0.1
3/8"	0.28	7	1.77	45	1.38	35	3.11	79	0.1
1/2"	0.35	9	2.20	56	1.65	42	3.54	90	0.2
3/4"	0.49	12	2.36	60	1.81	46	3.54	90	0.3
1"	0.63	16	2.80	71	1.97	50	4.09	104	0.4
1-1/4"	0.79	20	3.03	77	2.20	56	4.09	104	0.6
1-1/2"	0.98	25	3.27	83	2.20	56	4.09	104	0.6
1-1/2"	0.98	25	3.27	83	66	4.96	126	0.9	2.2
2"	1.26	32	3.94	100	72	4.96	126	1.4	3.8



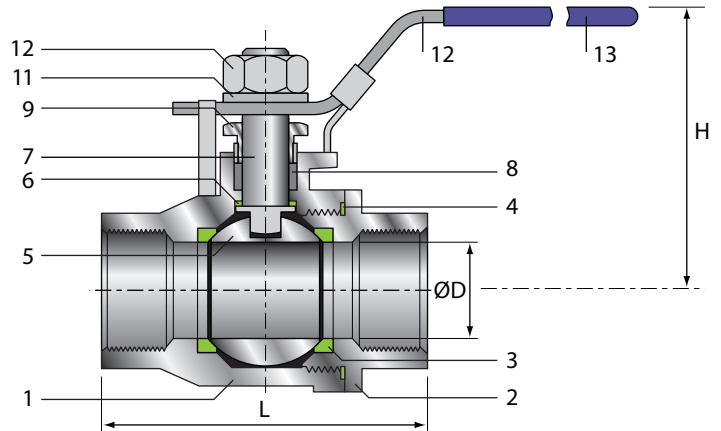
2-Piece Full Port Ball Valve - Threaded Body

Size: 1/4" to 4"
Pressure: 1000 PSI

Model L-250



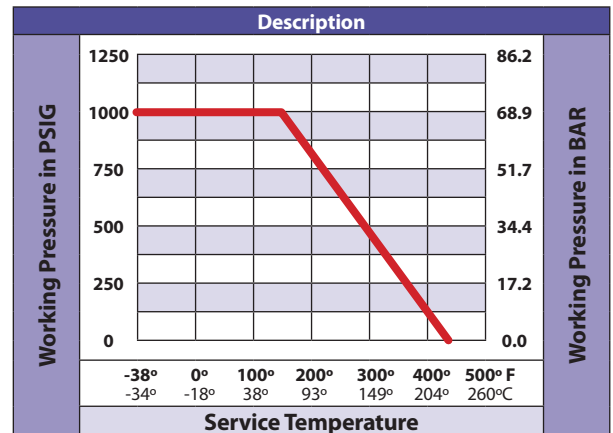
- Materials:** Stainless Steel & Carbon Steel
- End Connection:** Threaded
- Service Application:** Water, Oil, Gas, Thermal Fluid, Chemicals, & others
- Certifications:** ISO 9001 & PED 97/23/EC
- Operation:** Manual or Actuated



Materials

Item	Description	Stainless Steel	Carbon Steel	Qty
1	Body	ASTM A351 CF8M	ASTMA216WCB	1
2	Body Cap	ASTM A351 CF8M	ASTMA216WCB	1
3	Seat	PTFE	R-PTFE	2
4	Body Gasket	PTFE	PTFE	1
5	Ball	ASTMA351 CF8M/316	ASTM A351 CF8/304	1
6	Thrust Washer	PTFE	PTFE	1
7	Stem	ASTMA276316	ASTM A276 304	1
8	Stem Packing	PTFE	PTFE	1-3
9	Gland	AISI 304	AISI 304	1
10	Handle	AISI 304	Zinc Plated Steel	1
11	Spring Washer	AISI 304	AISI 304	1
12	Handle Nut	AISI 304	AISI 304	1
13	Sleeve	Vinyl Plastisol	Vinyl Plastisol	1

Pressure Temperature Ratings



R R-PTFE

Dimensions

Size	OD		L		H		W		Weights KG
	IN	MM	IN	MM	IN	MM	IN	MM	
1/4"	0.43	11.0	2.28	58	2.17	55	3.54	90	0.3
3/8"	0.49	12.5	2.28	58	2.17	55	3.54	90	0.3
1/2"	0.59	15.0	2.36	60	2.17	55	3.54	90	0.4
3/4"	0.79	20.0	2.72	69	2.52	64	3.94	100	0.5
1"	1.00	25.4	3.23	82	2.95	75	4.13	105	0.8
1 1/4"	1.26	32.0	3.74	95	3.07	78	5.31	135	1.2
1 1/2"	1.50	38.0	4.33	110	3.46	88	6.10	155	1.8
2"	1.97	50.0	4.92	125	3.86	98	6.10	155	2.8
2 1/2"	2.56	65.0	6.54	166	5.20	132	10.43	265	6.5
3"	3.15	80.0	7.44	189	5.63	143	10.43	265	9.8
4"	3.94	100.0	9.09	231	6.69	170	11.02	280	20.3



1-Piece Reduced Port Ball Valve

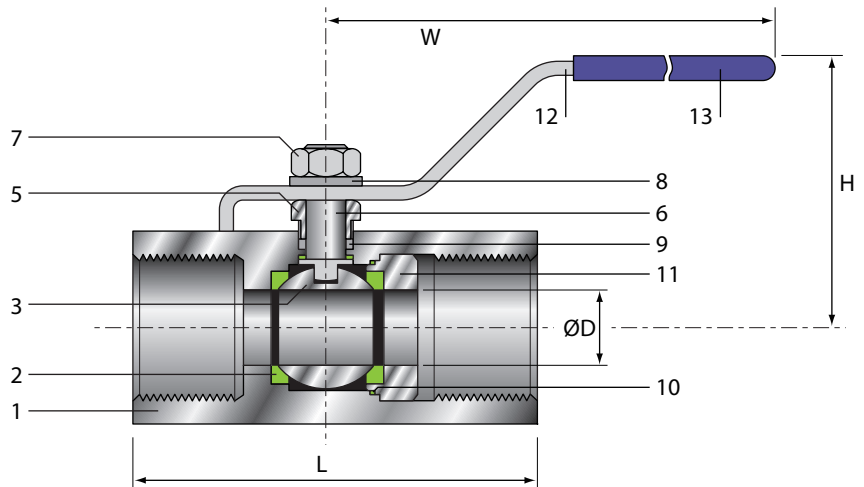
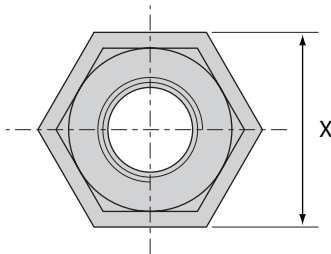
Size: 1/4" to 2"

Pressure: 2000 PSI

Model L-180



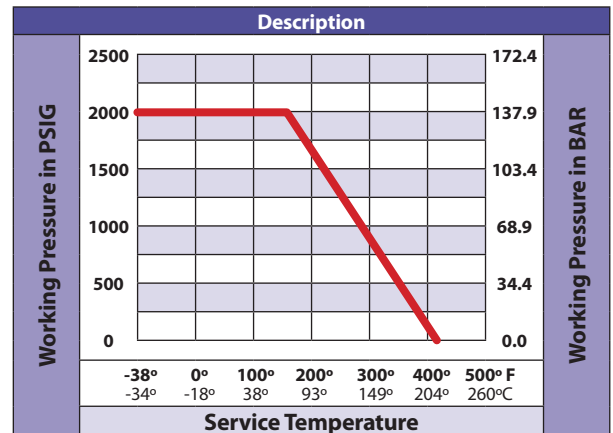
Materials: Barstock Type
End Connection: Threaded
Service Application: Water, Oil, Gas, Thermal Fluid, Chemicals, & others
Certifications: ISO 9001 & PED 97/23/EC
Operation: Manual



Materials

Item	Description	Carbon Steel	Qty
1	Body	ASTM A108 Barstock Type	1
2	Seat	R-PTFE	2
3	Ball	ASTMA351 CF8/304	1
4	Thrust Washer	PTFE	1
5	Gland	Zinc Plated Steel	1
6	Stem	ASTM A276 304	1
7	Handle Nut	Zinc Plated Steel	1
8	Spring Washer	Zinc Plated Steel	1
9	Stem Packing	PTFE	1
10	Body Gasket	PTFE	1
11	Body Insert	ASTM A108 Carbon Steel	1
12	Handle	Zinc Plated Steel	1
13	Sleeve	Vinyl Plastisol	1

Pressure Temperature Ratings



R R-PTFE

Dimensions

Size	OD		L		H		W		X		Weights KG
	IN	MM	IN	MM	IN	MM	IN	MM	IN	MM	
1/4"	0.19	4.7	1.69	43	1.34	34	2.64	67	0.67	17.0	0.1
3/8"	0.27	6.8	1.85	47	1.34	34	3.15	80	0.83	21.0	0.2
1/2"	0.36	9.2	2.44	62	2.36	60	4.33	110	1.14	29.0	0.3
3/4"	0.49	12.5	2.76	70	2.52	64	4.33	110	1.38	35.0	0.5
1"	0.63	16.0	3.39	86	2.64	67	4.80	122	1.61	41.0	0.7
1-1/4"	0.79	20.0	3.70	94	3.11	79	5.83	148	2.24	57.0	1.4
1-1/2"	0.98	25.0	4.02	102	3.11	79	5.83	148	2.24	57.0	1.5
2"	1.26	32.0	4.49	114	3.54	90	6.06	154	2.85	72.5	2.6



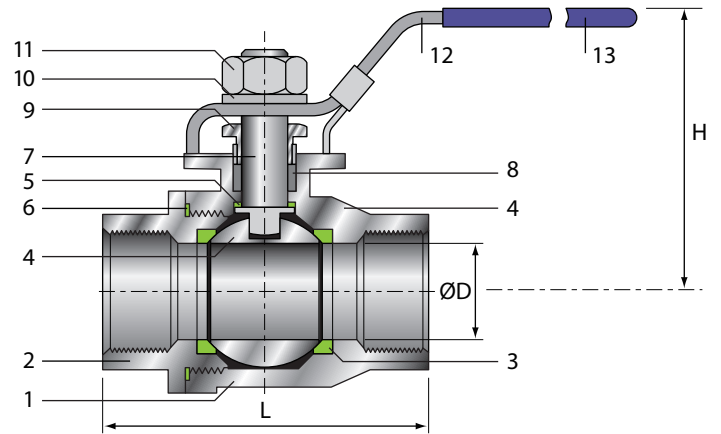
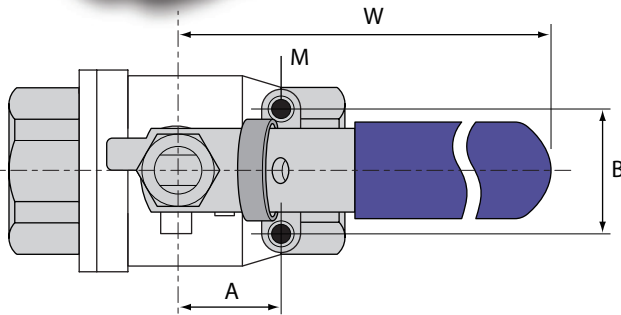
2-Piece Full Port Ball Valve - Threaded Body

Size: 1/4" to 4"
Pressure: 2000 PSI (1/4" to 2") - 1500 PSI (2-1/2" to 4")

Model L-270



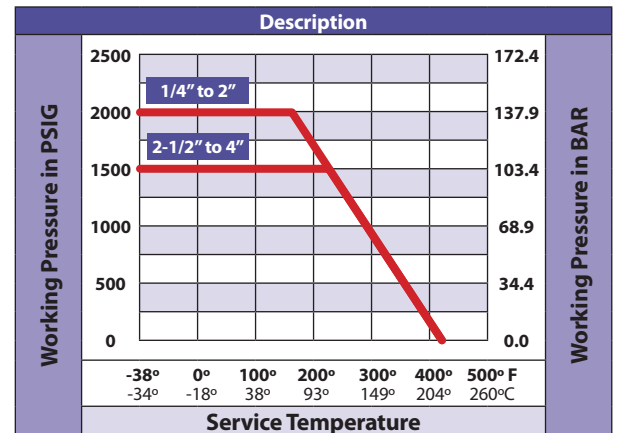
- Materials:** Materials Stainless Steel, Carbon Steel
- End Connection:** Threaded
- Application:** Water, Oil, Gas, Thermal Fluid, Chemicals, & others
- Certifications:** ISO 9001 & PED 97/23/EC
- Operation:** Manual



Materials

Item	Description	Stainless Steel	Carbon Steel	Qty
1	Body	ASTMA351 CF8M	ASTMA216WCB	1
2	Body Cap	ASTMA351CF8M	ASTMA216WCB	1
3	Seat	PTFE	R-PTFE	2
4	Ball	ASTMA351 CF8M/316	ASTMA351 CF8/304	1
5	Thrust Washer	PTFE	PTFE	1
6	Body Gasket	PTFE	PTFE	1
7	Stem	ASTMA276316	ASTMA276304	1
8	Stem Packing	PTFE	PTFE	1-3
9	Gland	AISI 304	AISI 304	1
10	Spring Washer	AISI 304	AISI 304	1
11	Handle Nut	AISI 304	AISI 304	1
12	Handle	AISI 304	Zinc Plated Steel	1
13	Sleeve	Vinyl Plastisol	Vinyl Plastisol	1

Pressure Temperature Ratings



R R-PTFE

Dimensions

Size	OD		L		H		W		A		B		M	Weights KG
	IN	MM	IN	MM	IN	MM	IN	MM	IN	MM	IN	MM		
1/4"	0.43	11.0	2.32	59	2.24	57	3.54	90	0.50	12.7	1.12	28.5	10 - 24UNC	0.3
3/8"	0.49	12.5	2.32	59	2.24	57	3.54	90	0.50	12.7	1.12	28.5	10 - 24UNC	0.3
1/2"	0.59	15.0	2.40	61	2.24	57	3.54	90	0.50	12.7	1.12	28.5	10 - 24UNC	0.4
3/4"	0.79	20.0	2.87	73	2.83	72	4.09	104	0.87	22.1j	1.38	35.0	10 - 24UNC	0.6
1"	1.00	25.4	3.35	85	3.07	78	6.06	154	0.93	23.6	1.38	35.0	10 - 24UNC	1.0
1-1/4"	1.26	32.0	3.82	97	3.31	84	6.06	154	0.93	23.6	1.50	38.1	1/4" - 20UNC	1.4
1-1/2"	1.50	38.0	4.53	115	3.39	86	6.61	168	0.93	23.6	1.50	38.1	1/4" - 20UNC	2.0
2"	1.97	50.0	5.28	134	3.78	96	6.61	168	0.93	23.6	1.50	38.1	1/4" - 20UNC	3.4
2-1/2"	2.56	65.0	6.54	166	5.20	132	10.43	265	NA	NA	NA	NA	NA	6.5
3"	3.15	80.0	7.44	189	5.63	143	10.43	265	NA	NA	NA	NA	NA	9.8
4"	3.94	100.0	9.09	231	6.69	170	11.02	280	NA	NA	NA	NA	NA	20.3

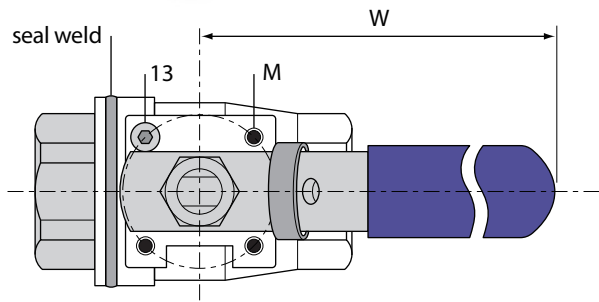


2-Piece Full Port Ball Valve - Seal Welded Body

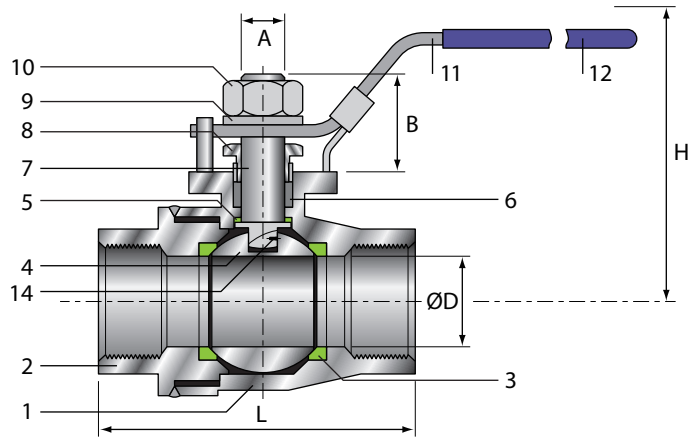
Size: 1/4" to 4"

Pressure: 2000 PSI (1/4" to 2") - 1500 PSI (2-1/2" to 4")

Model G-280F



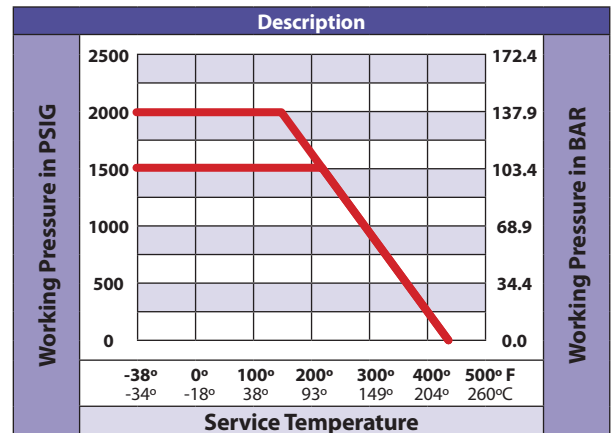
- Materials:** Stainless Steel & Carbon Steel
- End Connection:** Threaded
- Service Application:** Water, Oil, Gas, Thermal Fluid, Chemicals, & others
- Certifications:** ISO 9001 & PED 97/23/EC
- Operation:** Manual or Actuated
- Design:** Fire Safe API607



Materials

Item	Description	Stainless Steel	Carbon Steel	Qty
1	Body	ASTM A351 CF8M	ASTM A216 WCB	1
2	Body Cap	ASTMA351 CF8M	ASTM A216 WCB	1
3	Seat	PTFE	R-PTFE	2
4	Ball	ASTM A351 CF8M/316	ASTM A351 CF8/304	1
5	Thrust Washer	Graphite	Graphite	1
6	Stem Packing	Graphite	Graphite	1
7	Stem	ASTM A276 316	ASTM A276 304	1
8	Gland	PTFE	PTFE	1
9	Spring Washer	AISI 304	AISI 304	1
10	Handle Nut	AISI 304	AISI 304	1
11	Handle	AISI 304	Zinc Plated Steel	1
12	Sleeve	Vinyl Plastisol	Vinyl Plastisol	1
13	Stop Pin	AISI 304	Carbon Steel	1
14	Anti-Static Device	AISI 304	AISI 304	1

Pressure Temperature Ratings



R R-PTFE

Dimensions

Size	OD		L		H		W		A		B		M	ISO 5211	Weights KG
	IN	MM	IN	MM	IN	MM	IN	MM	IN	MM	IN	MM			
1/4"	0.43	11.0	2.32	59	2.13	54	5.31	135	0.31	8	0.59	15	M5	F03	0.4
3/8"	0.49	12.5	2.32	59	2.13	54	5.31	135	0.31	8	0.59	15	MS	F03	0.4
1/2"	0.59	15.0	2.40	61	2.20	56	5.31	135	0.31	8	0.67	17	MS	F03	0.4
3/4"	0.79	20.0	2.87	73	2.52	64	5.31	135	0.39 [^]	10	0.79	20	MS	F03	0.6
1"	1.00	25.4	3.35	85	2.68	68	6.50	165	0.47	12	0.98	25	MS	F04	1.0
1-1/4"	1.26	32.0	3.82	97	2.91	74	6.50	165	0.47	12	0.98	25	M5	F04	1.5
1-1/2"	1.50	38.0	4.53	115	3.54	90	6.89	175	0.55	14	0.98	25	M6	F05	2.2
2"	1.97	50.0	5.28	134	3.94	100	6.89	175	0.55	14	0.98	25	M6	F05	3.8
2-1/2"	2.56	65.0	6.61	168	5.39	137	10.24	260	0.79	20	1.57	40	M8	F07	6.5
3"	3.15	80.0	7.52	191	5.79	147	10.24	260	0.79	20	1.57	40	M8	F07	11.8
4"	3.94	100.0	9.09	231	6.93	176	11.02	280	0.98	25	1.57	40	M10	F10	20.3

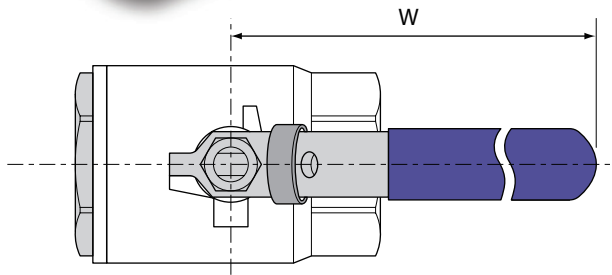


2-Piece Full Port Ball Valve - Threaded Body

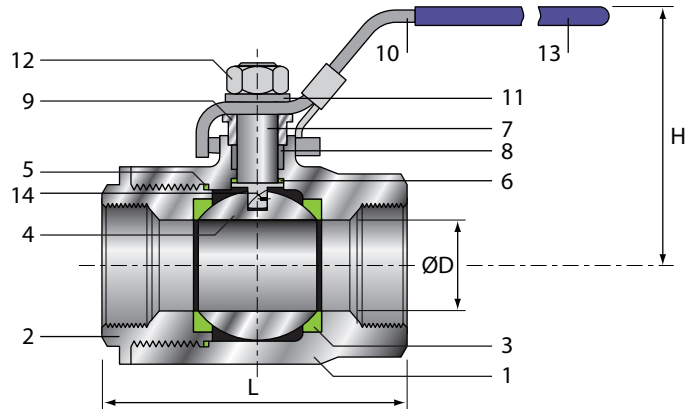
Size: 1/4" to 2"

Pressure: 3600 PSI

Model L-290F



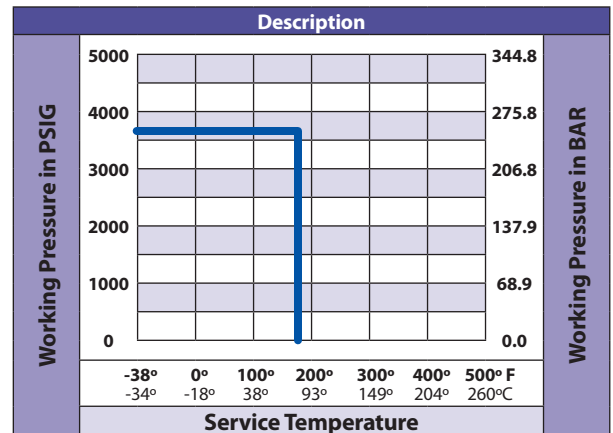
- Materials:** Stainless Steel, Carbon Steel
- End Connection:** Threaded
- Service Application:** Water, Oil, Gas, Thermal Fluid, Chemicals, & others
- Certifications:** ISO 9001 & PED 97/23/EC
- Operation:** Manual
- Design:** Fire Safe API607



Materials

Item	Description	Stainless Steel	Carbon Steel	Qty
1	Body	ASTM A351 CF8M	ASTMA216WCB	1
2	Body Cap	ASTMA351 CF8M	ASTMA216WCB	1
3	Seat	Delrin	Delrin	2
4	Ball	ASTMA351 CF8M/316	ASTMA351CF8/304	1
5	Body Gasket	Graphite	Graphite	1
6	Thrust Washer	Graphite	Graphite	1
7	Stem	ASTM A276 316	ASTM A276 304	1
8	Stem Packing	Graphite	Graphite	1
9	Gland	AISI 304	AISI 304	2
10	Handle	AISI 304	Zinc Plated Steel	1
11	Spring Washer	AISI 304	AISI 304	1
12	Handle Nut	AISI 304	AISI 304	1
13	Sleeve	Vinyl Plastisol	Vinyl Plastisol	1

Pressure Temperature Ratings



D Delrin

Dimensions

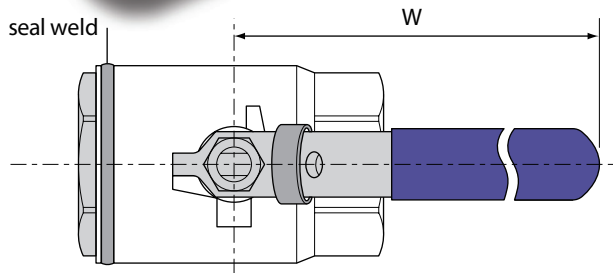
Size	OD		L		H		W		Weights KG
	IN	MM	IN	MM	IN	MM	IN	MM	
1/4"	0.50	12.7	2.72	69	2.64	67	4.80	122	0.7
3/8"	0.50	12.7	2.72	69	2.64	67	4.80	122	0.7
1/2"	0.50	12.7	2.72	69	2.64	67	4.80	122	0.7
3/4"	0.75	19.0	3.48	88	2.91	74	5.83	148	1.1
1"	1.00	25.4	4.02	102	3.15	80	6.61	168	1.7
1-1/4"	1.26	32.0	4.55	115	3.39	86	6.61	168	2.4
1-1/2"	1.50	38.0	4.88	124	4.76	121	10.23	260	3.8
2"	1.75	44.5	5.87	149	4.96	125	10.23	260	5.9



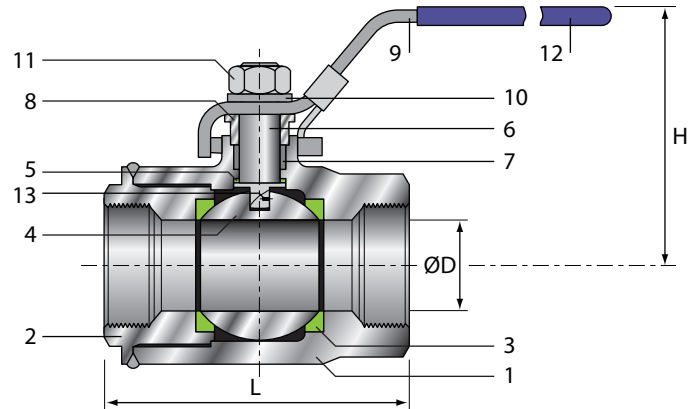
2-Piece Full Port Ball Valve - Seal Welded Body

Size: 1/4" to 2"
Pressure: 3600 PSI

Model G-290F



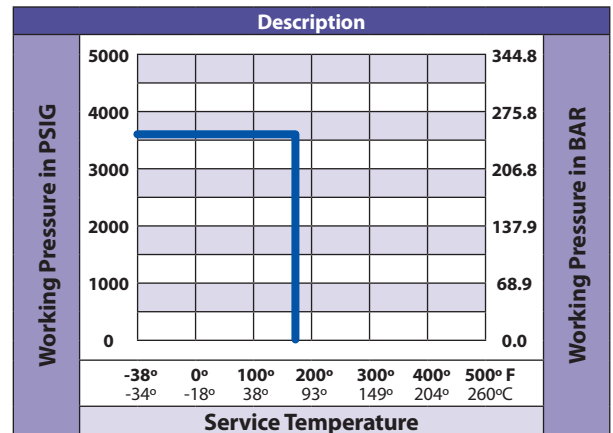
- Materials:** Stainless Steel & Carbon Steel
- End Connection:** Threaded
- Service Application:** Water, Oil, Gas, Thermal Fluid, Chemicals, & others
- Certifications:** ISO 9001 & PED 97/23/EC
- Operation:** Manual
- Design:** Fire Safe API607



Materials

Item	Description	Stainless Steel	Carbon Steel	Qty
1	Body	ASTM A351 CF8M	ASTMA216WCB	1
2	Body Cap	ASTMA351 CF8M	ASTMA216WCB	1
3	Seat	Delrin	Delrin	2
4	Ball	ASTMA351 CF8M/316	ASTMA351 CF8/304	1
5	Thrust Washer	Graphite	Graphite	1
6	Stem	ASTMA276316	ASTM A276 316	1
7	Stem Packing	Graphite	Graphite	1
8	Gland	AISI 304	AISI 304	1
9	Handle	AISI 304	AISI 304	1
10	Spring Washer	AISI 304	AISI 304	1
11	Handle Nut	AISI 304	AISI 304	1
12	Sleeve	Vinyl Plastisol	Vinyl Plastisol	1
13	Anti-Static Device	AISI 304	AISI 304	1

Pressure Temperature Ratings



D Delrin

Dimensions

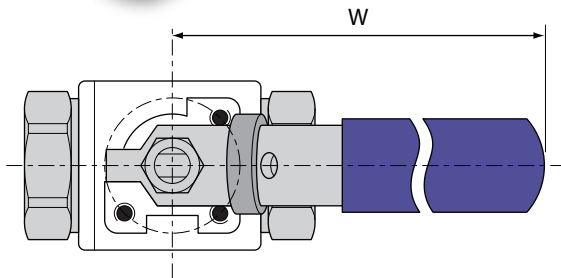
Size	OD		L		H		W		Weights KG
	IN	MM	IN	MM	IN	MM	IN	MM	
1/4"	0.50	12.7	2.72	69.0	2.64	67	4.80	122	0.7
3/8"	0.50	12.7	2.72	69.0	2.64	67	4.80	122	0.7
1/2"	0.50	12.7	2.72	69.0	2.64	67	4.80	122	0.7
3/4"	0.75	19.0	3.48	88.5	2.91	74	5.83	148	1.1
1"	1.00	25.4	4.02	102.0	3.15	80	6.61	168	1.7
1-1/4"	1.26	32.0	4.55	115.5	3.39	86	6.61	168	2.4
1-1/2"	1.50	38.0	4.88	124.0	4.76	121	10.23	260	3.8
2"	1.75	44.5	5.87	149.0	4.96	125	10.23	260	5.9



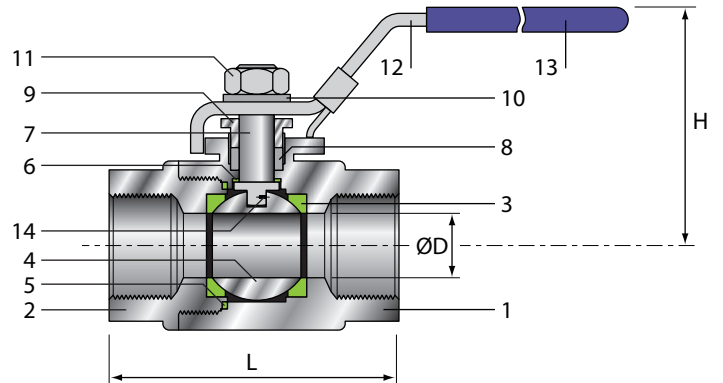
2-Piece Full Port Ball Valve - Threaded Body

Size: FP 1/4" to 1-1/2" to RP 2"
Pressure: 6000 PSI

Model L-291



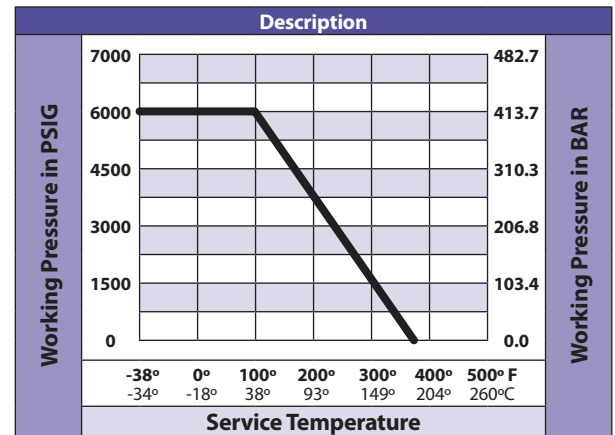
- Materials:** Stainless Steel, Carbon Steel
- End Connection:** Threaded
- Service Application:** Water, Oil, Gas, Thermal Fluid, Chemicals, & others
- Certifications:** ISO 9001 & PED 97/23/EC
- Operation:** Manual or Actuated



Materials

Item	Description	Stainless Steel	Carbon Steel	Qty
1	Body	ASTMA351 CF8M	ASTMA216WCB	1
2	Body Cap	ASTMA351 CF8M	ASTMA216WCB	1
3	Seat	PEEK	PEEK	2
4	Ball	ASTMA351 CF8M	ASTMA351 CF8	1
5	Thrust Washer	PTFE	PTFE	1
6	Body Gasket	PTFE	PTFE	1
7	Stem	ASTMA276316	ASTMA276316	1
8	Stem Packing	PTFE	PTFE	1
9	Gland	AISI 304	AISI 304	1
10	Spring Washer	AISI 304	AISI 304	1
11	Handle Nut	AISI 304	AISI 304	1
12	Handle	AISI 304	AISI 304	1
13	Sleeve	Vinyl Plastisol	Vinyl Plastisol	1
14	Anti-Static Device	AISI 304	AISI 304	1

Pressure Temperature Ratings



P PEEK

Dimensions

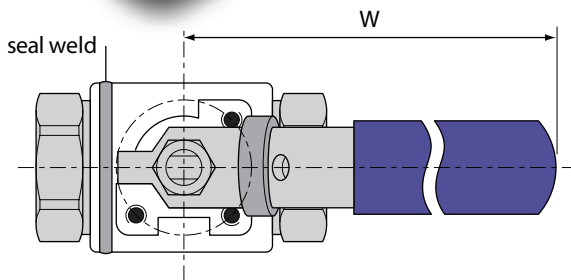
Size	OD		L		H		W		ISO 5211	Weights KG
	IN	MM	IN	MM	IN	MM	IN	MM		
1/4"	0.31	8.0	3.00	76.2	1.92	48.8	5.00	127.0	F03-3xM5	0.6
3/8"	0.50	12.7	4.00	101.6	1.92	48.8	5.00	127.0	F03-3xM5	1.0
1/2"	0.50	12.7	4.00	101.6	1.92	48.8	5.00	127.0	F03-3xM5	0.9
3/4"	0.75	19.1	4.25	108.0	2.56	65.0	5.82	148.0	F04-3xM5	1.5
1"	1.00	25.4	4.50	114.3	3.45	87.6	7.00	178.0	F05-3xM6	2.5
1-1/2"	1.50	38.1	5.25	133.4	4.13	104.9	10.00	254.0	F07-3xM8	6.0
2"	1.50	38.1	6.25	158.8	4.13	104.9	10.00	254.0	F07-3xM8	7.5



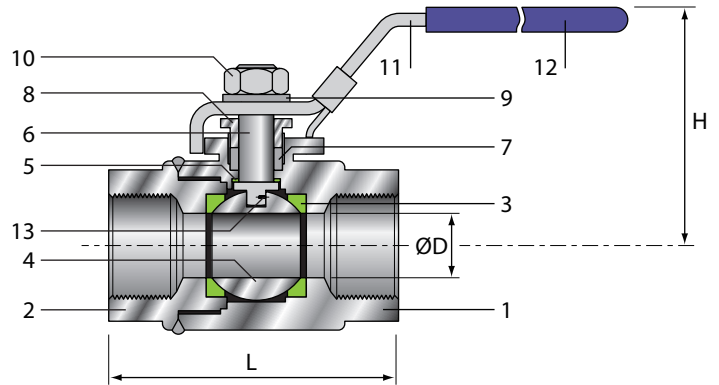
2-Piece Full Port Ball Valve - Seal Welded Body

Size: FP 1/4" to 1-1/2" to RP 2"
Pressure: 6000 PSI

Model G-291F



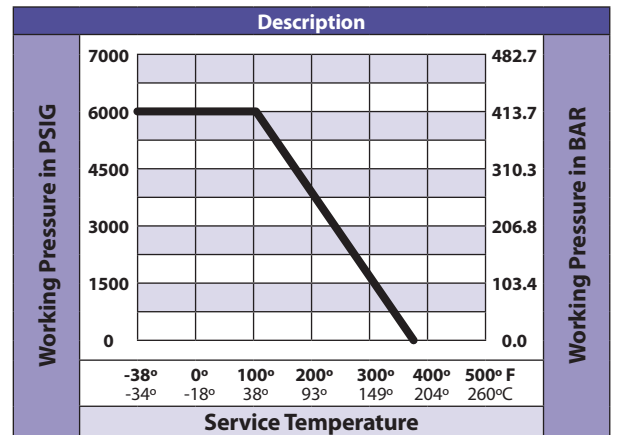
- Materials:** Stainless Steel & Carbon Steel
- End Connection:** Threaded
- Service Application:** Water, Oil, Gas, Thermal Fluid, Chemicals, & others
- Certifications:** ISO 9001 & PED 97/23/EC
- Operation:** Manual or Actuated
- Design:** Fire Safe API607



Materials

Item	Description	Stainless Steel	Carbon Steel	Qty
1	Body	ASTM A351 CF8M	ASTMA216WCB	1
2	Body Cap	ASTM A351 CF8M	ASTMA216WCB	1
3	Seat	PEEK	PEEK	2
4	Ball	ASTMA351CF8M	ASTM A351 CF8	1
5	Thrust Washer	Graphite	Graphite	1
6	Stem	ASTM A276 316	ASTM A276 316	1
7	Stem Packing	Graphite	Graphite	1
8	Gland	AISI 304	AISI 304	1
9	Spring Washer	AISI 301	AISI 301	1
10	Handle Nut	AISI 304	AISI 304	1
11	Handle	AISI 304	AISI 304	1
12	Sleeve	Vinyl Plastisol	Vinyl Plastisol	1
13	Anti-Static Device	AISI 304	AISI 304	1

Pressure Temperature Ratings



P PEEK

Dimensions

Size	OD		L		H		W		ISO 5211	Weights KG
	IN	MM	IN	MM	IN	MM	IN	MM		
1/4"	0.25	6.4	3.00	76.2	1.92	48.8	5.00	127.0	F03-3xM5	0.6
3/8"	0.50	12.7	4.00	101.6	1.92	48.8	5.00	127.0	F03-3xM5	1.0
1/2"	0.50	12.7	4.00	101.6	1.92	48.8	5.00	127.0	F03-3xM5	0.9
3/4"	0.75	19.1	4.25	108.0	2.56	65.0	5.83	148.1	F04-3xM5	1.5
1"	1.00	25.4	4.50	114.3	3.45	87.6	8.10	205.7	F05-3xM6	2.5
1-1/2"	1.50	38.1	5.25	113.4	4.13	104.9	10.00	254.0	F07-3xM8	6.0
2"	1.50	38.1	6.25	158.8	4.13	104.9	10.00	254.0	F07-3xM8	7.5

Southern California Valve was established in 1972 as a maintenance and modification company with the ability to provide full in-line valve service and repair. In the mid-1970's, after experiencing the shortcomings of other valve products in service, SCV manufactured its first valve. Since that time, Southern California Valve has expanded our manufactured products to cover a broad range of valves. Industries served include the power, paper and pulp, oil and gas, and petro-chemical sectors.

Southern California Valve takes sincere pride in our ability to manufacture both commodity and specialty valves that meet and exceed the needs of our customers. All sizes, pressure classes, and metallurgical compositions are managed in house utilizing the strictest quality control measures to ensure the customer's total satisfaction.

Southern California Valve products include gates, globes, checks, balls, and plugs. Valves utilized throughout the industry must meet rigorous quality and production standards. Southern California Valve has earned its API 6A, API 6D, CE-PED, and CRN certifications while operating under the API Q1 Quality Management System.

With years of dedication and commitment to quality, design, and service, Southern California Valve has grown to be one of the premier valve manufacturers in the industry with the largest inventory of high pressure ball, gate, and check valves on the West Coast. We pride ourselves on our high quality products, timely delivery capabilities, and competitive prices.

On behalf of all of the members at Southern California Valve, we thank you for the opportunity to earn your business.

Sincerely,



Sid McCarra
President
Southern California Valve



Southern California Valve

**SALES, PROJECTS, ENGINEERING,
MANUFACTURING, & WAREHOUSING**

3521 FM 646 Rd. North
Santa Fe, TX 77510
Phone: (281) 482-4728
Fax: (281) 482-9728
Hours: 8:00 a.m. to 5:00 p.m. Central Standard
Email: sales@scvvalve.com

MANUFACTURING & WAREHOUSING

13903 Maryton Ave.
Santa Fe Springs, CA 90670
Phone: (562) 404-2246
Toll Free: (800) 554-6421
Fax: (562) 404-2836
Hours: 8:00 a.m. to 5:00 p.m. Pacific

Since 1972, Southern California Valve has been committed to providing quality flow control products to the Power, Paper & Pulp, Oil & Gas, and Petro Chemical industries.

As one of the largest valve manufacturers on the West Coast, Southern California Valve's reputation is unparalleled for producing high quality commodity and specialty valves. Products range in sizes 1/4" - 52", in pressure classes from 150# - 2500# and are backed by timely deliveries and competitive prices.

Call SCV today at (281)482-4728 for all your valve needs or visit us on the web @ www.scvvalve.com.

(281) 482-4728 • www.scvvalve.com